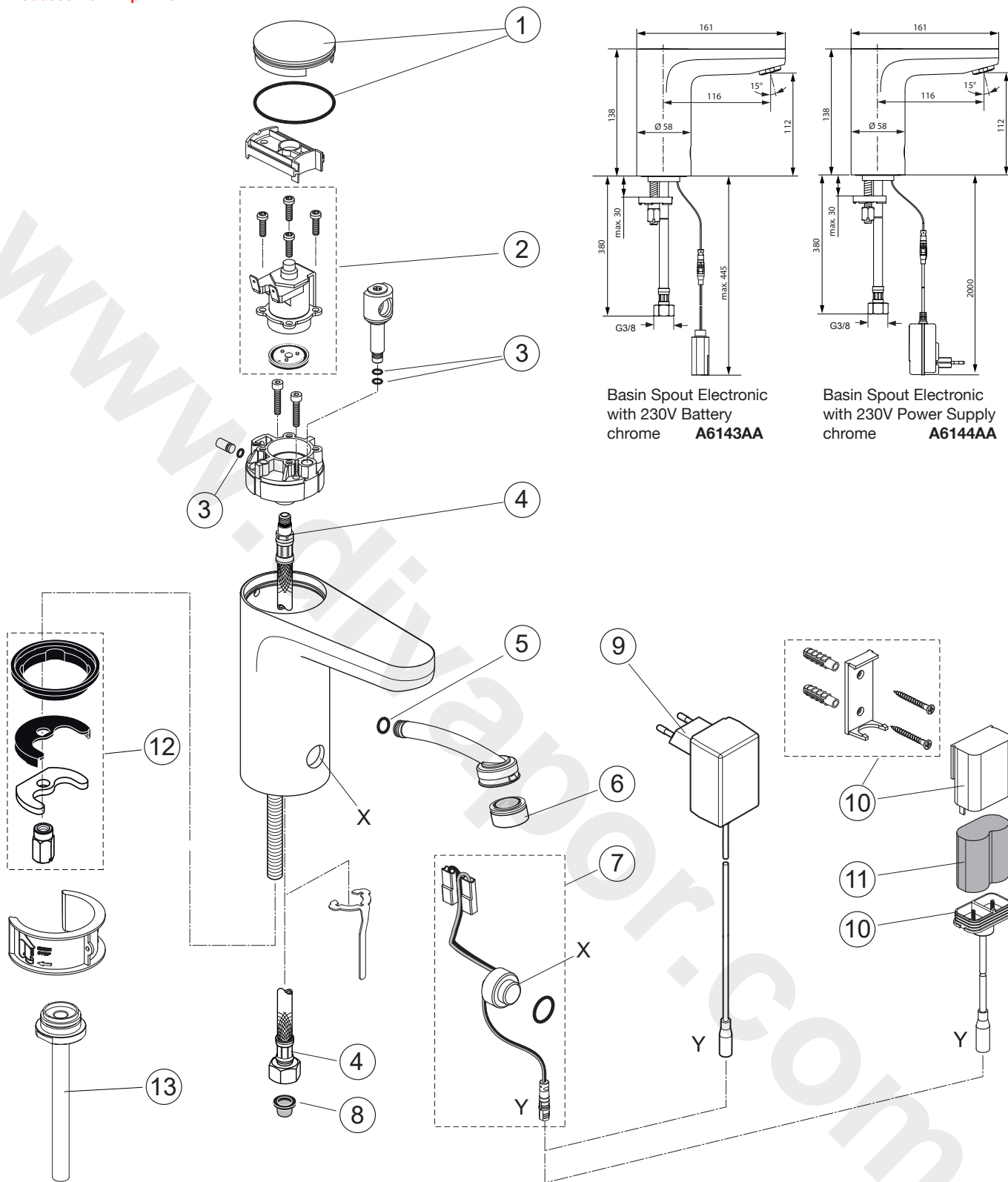


Produced from: April 2021

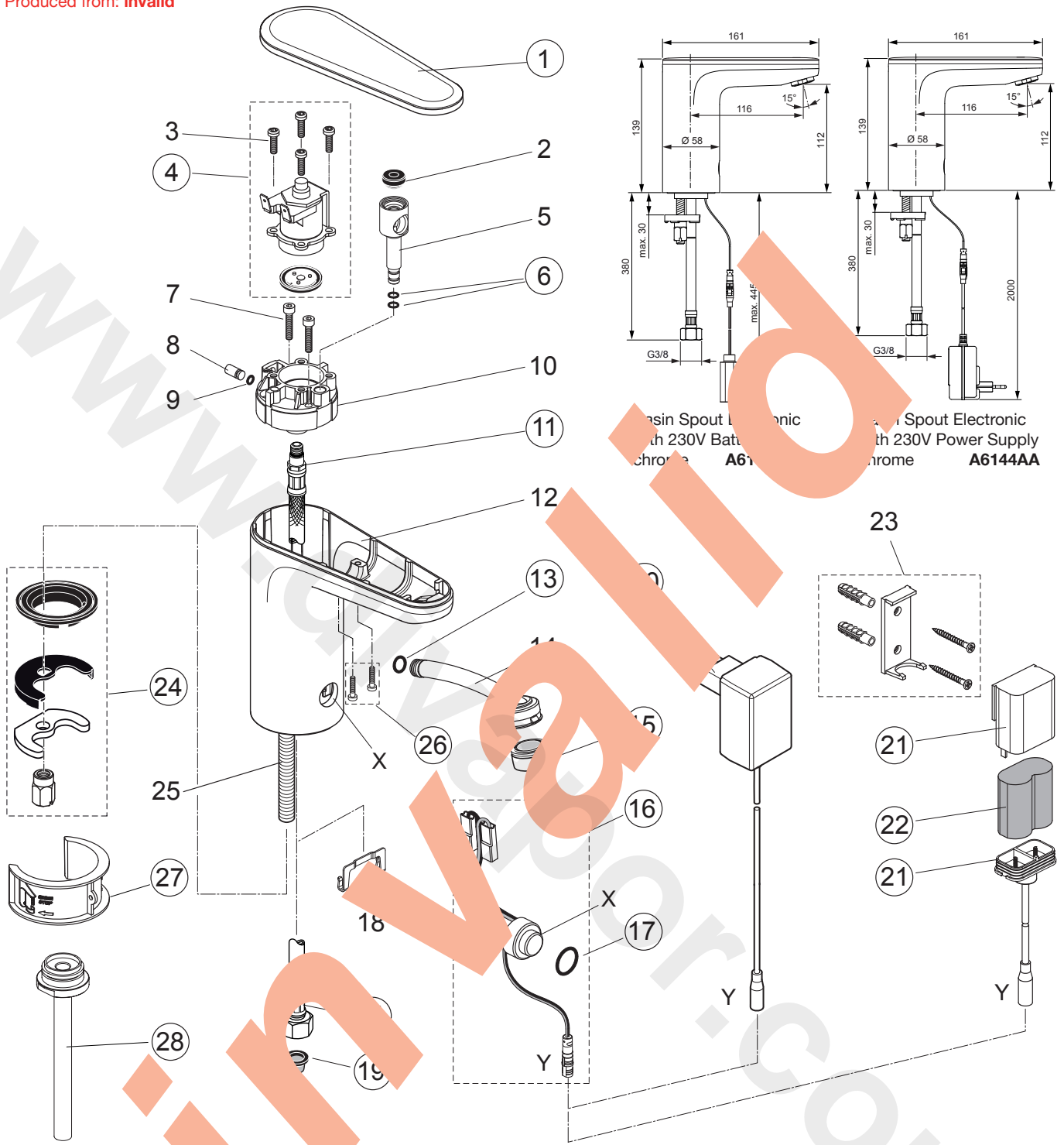


Basin Spout Electronic with 230V Battery chrome **A6143AA**

Basin Spout Electronic with 230V Power Supply chrome **A6144AA**

Pos.	Description	Part-Number	Qty.	Pos.	Description	Part-Number	Qty.
1	Cover + O-Ring w. Ring Logo	F 961 027 AA	1 pcs	10	Battery case + Holder	F 961 038 NU	1 pcs
2	Magnet valve	F 961 028 NU	1 Set	11	Battery 6V CR-P2	A 960 161 NU	1 pcs
3	O - Ring Ø 5 x 1,0	F 961 029 NU	1 Set	12	Fixation kit	A 960 001 NU	1 pcs
4	Flex. hose M10x1-G3/8	A 963 600 NU	1 pcs	13	Pipe for Desinfection	F 960 965 NU	1 pcs
5	O - Ring Ø 8 x 1,5	A 961 118 NU	1 pcs				
6	Aerator M24x1 complete	F 961 082 AA	1 pcs				
7	Sensor complete	F 961 031 NU	1 Set				
8	Strainer Ø 15 x 10,4	F 961 032 NU	1 pcs				
9	Power supply / Input 100 - 240V AC / 50 - 60Hz Output 6,5V DC / 0,92A Extension cable 2 m	F 961 033 NU A 960 635 NU	1 pcs 1 pcs				

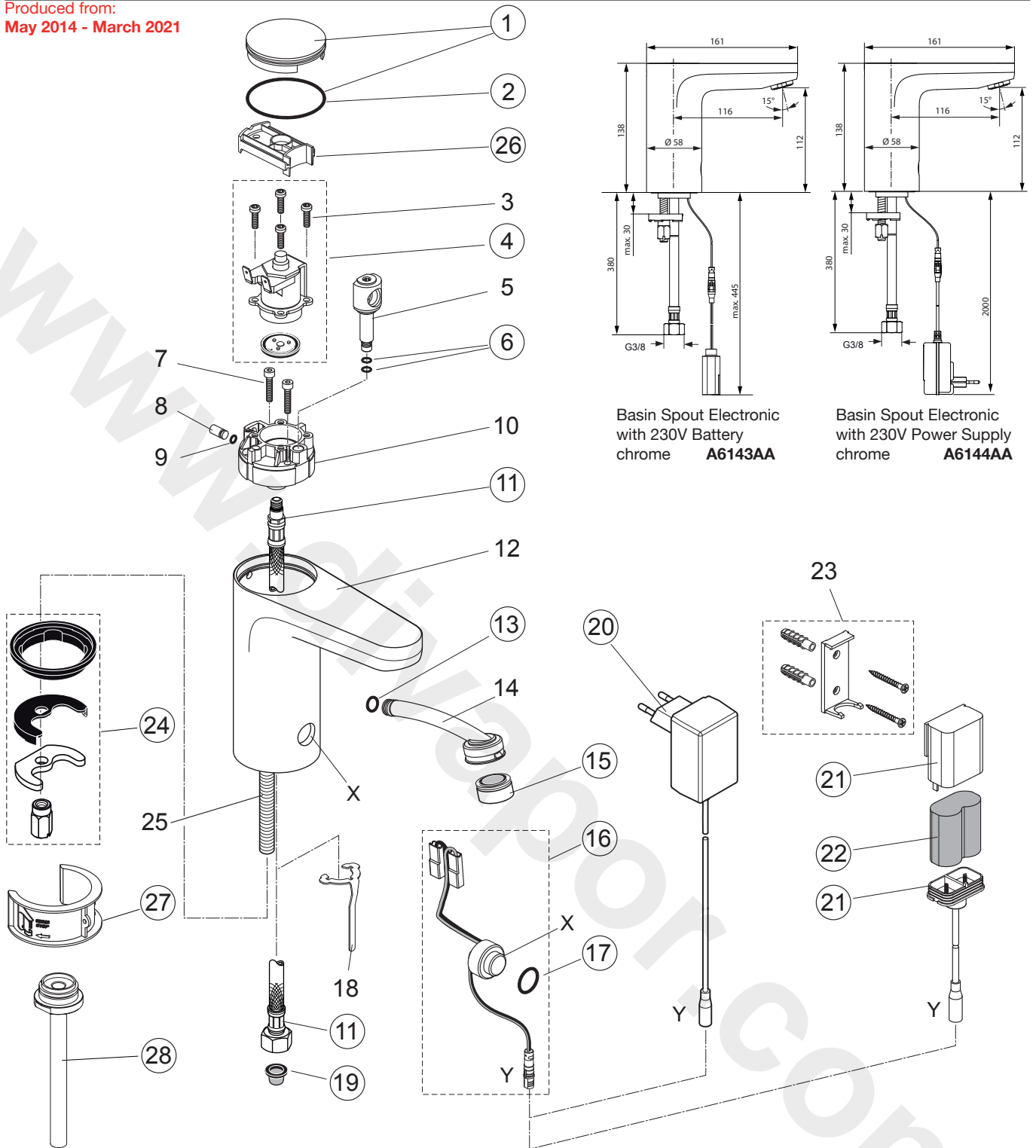
Produced from: invalid



Pos.	Description	Part-Number	Qty.	Pos.	Description	Part-Number	Qty.
1	Cover w. Logo ISI	A 961 027 AA*	1 pcs	17	O - Ring Ø 15,6 x 1,78	A 961 182 NU	2 pcs
2	Sealing rubber			18	Clamp		
3	Screw Ejot PT 40x14-DS			19	Strainer Ø 15 x 10,4	F 961 032 NU	1 pcs
4	Magnet valve + Pos.3	F 961 028 NU	1 Set	20	Power supply / Input 100 - 240V AC / 50 - 60Hz Output 6,5V DC / 0,92A	F 961 033 NU	1 pcs
5	Pipe adapter				Extension cable 2 m	A 960 635 NU	1 pcs
6	O - Ring Ø 5 x 1,0 + Pos.9	F 961 029 NU	1 Set	21	Battery case + Pos. 23	F 961 038 NU	1 pcs
7	Cylindrical screw M4x20 DIN912			22	Battery 6V CR-P2	A 960 161 NU	1 pcs
8	Plug						
9	O - Ring Ø 4 x 1,2 (included in Pos.6)			23	Battery case holder cpl.		
10	Body (magnet valve)			24	Fixation kit	A 960 001 NU	1 pcs
11	Flex. hose M10x1-G3/8	A 963 600 NU	1 pcs	25	Fixation-Bold M8 x 63		
12	Body (Electr. spout)			26	Screw M3 x 14 DIN 7984	A 860 730 NU*	1 Set
13	O - Ring Ø 8 x 1,5	A 961 118 NU	1 pcs	27	Sensor Cover	F 961 083 NU	1 pcs
14	Inlet			28	Pipe for Desinfection	F 960 965 NU	1 pcs
15	Aerator M24x1 complete	F 961 082 AA	1 pcs				
16	Sensor complete + Pos.17	F 961 031 NU	1 Set				

*Universal set (not all parts needed)

Produced from:
May 2014 - March 2021



Pos.	Description	Part-Number	Qty.	Pos.	Description	Part-Number	Qty.
1	Cover w. O-Ring	F 961 027 AA	1 pcs	16	Sensor complete + Pos.17	F 961 031 NU	1 Set
2	O-Ring Ø 50,52 x 1,78	A 962 639 NU	1 pcs	17	O - Ring Ø 15,6 x 1,78	A 961 182 NU	2 pcs
3	Screw Ejoj PT 40x14-DS			18	Clamp		
4	Magnet valve + Pos.3	F 961 028 NU	1 Set	19	Strainer Ø 15 x 10,4	F 961 032 NU	1 pcs
5	Pipe adapter			20	Power supply / Input 100 - 240V AC / 50 - 60Hz Output 6,5V DC / 0,92A	F 961 033 NU	1 pcs
6	O - Ring Ø 5 x 1,0 + Pos.9	F 961 029 NU	1 Set		Extension cable 2 m	A 960 635 NU	1 pcs
7	Cylindrical screw M4x20 DIN912			21	Battery case + Pos. 23	F 961 038 NU	1 pcs
8	Plug			22	Battery 6V CR-P2	A 960 161 NU	1 pcs
9	O - Ring Ø 4 x 1,2 (included in Pos.6)			23	Battery case holder cpl.		
10	Body (magnet valve)			24	Fixation kit	A 960 001 NU	1 pcs
11	Flex. hose M10x1-G3/8	A 963 600 NU	1 pcs	25	Fixation-Bold M8 x 63		
12	Body (Electr. spout)			26	Holder	F 961 084 NU	1 pcs
13	O - Ring Ø 8 x 1,5	A 961 118 NU	1 pcs	27	Sensor Cover	F 961 083 NU	1 pcs
14	Inlet			28	Pipe for Desinfection	F 960 965 NU	1 pcs
15	Aerator M24x1 complete	F 961 082 AA	1 pcs				